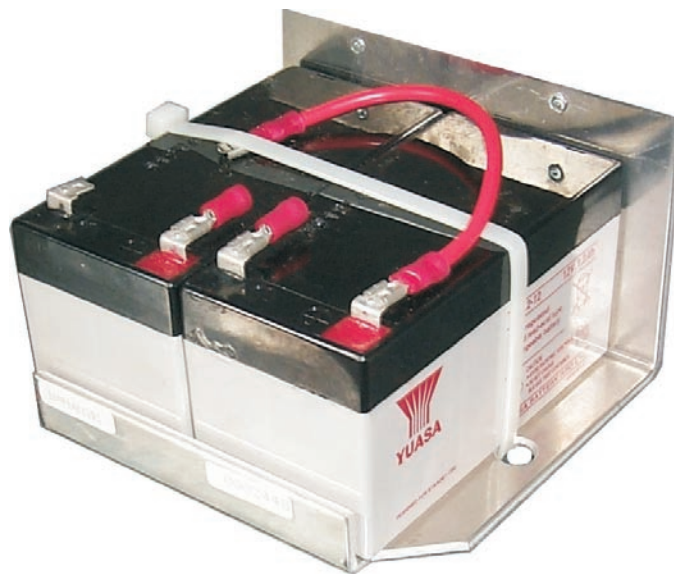


Accessory

for battery charger

www.ees-online.de

— info



Lead accumulators for battery boosters
for mounting on a DIN-rail or on a mounting plate

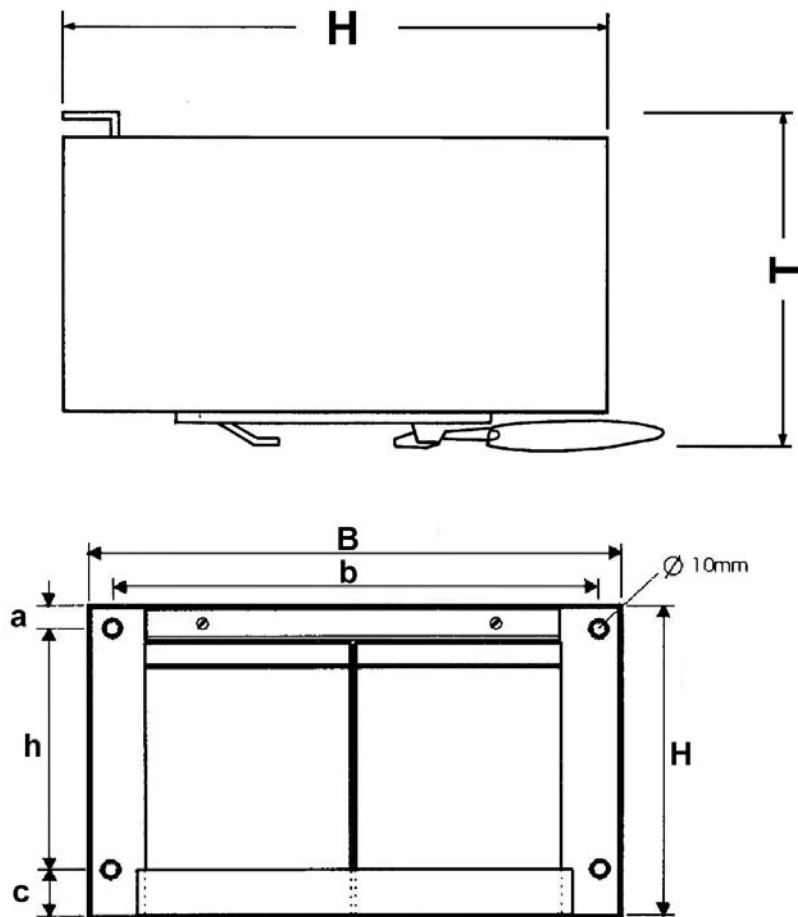
Performance data

- Accumulator pack for 12V and 24V
- 1.2 – 38Ah
- maintenance-free

Technical Data:

| Voltage | Capacity | H | h | a | c | B | b | T | Mounting |
|---------|----------|-----|-----|----|----|-----|-----|-----|----------------|
| 12V | 1.2Ah | 72 | | | | 67 | | 112 | DIN-rail |
| 24V | 1.2Ah | 72 | | | | 115 | | 112 | DIN-rail |
| 12V | 3.0Ah | 151 | | | | 67 | | 75 | DIN-rail |
| 12V | 7Ah | 151 | | | | 67 | | 109 | DIN-rail |
| 24V | 12Ah | 135 | 85 | 15 | 30 | 250 | 230 | 160 | Mounting plate |
| 12V | 24Ah | 175 | 120 | 15 | 40 | 220 | 200 | 180 | Mounting plate |
| 12V | 38Ah | 205 | 145 | 15 | 45 | 250 | 225 | 170 | Mounting plate |

NiCd-accumulators and batteries with higher capacity on request.



Dimensions in mm

The right to make technical changes is reserved



HOTLINE
+49(0)7191/182-235
-214



INTERNET
www.ees-online.de

EES Elektra Elektronik GmbH & Co Störcontroller KG
Hummelbühl 7-9 • D-71522 Backnang/Germany • P.O. Box 12 40 • D-71502 Backnang
Phone: +49(0)7191/182-0 • Fax: +49(0)7191/182-200 • e-Mail: info@ees-online.de